



MULTY

Multy Mini Dual-Band WiFi System Add-on

The Zyxel Multy Mini Dual-Band WiFi System Add-on is designed to provide better corner-to-corner WiFi coverage with Multy X and maintain a single network name throughout your home.

Additional WiFi coverage expansion

Provides up to an additional 2,000 sq. ft. of coverage into any room with fast and reliable WiFi, so you can enjoy WiFi everywhere in your home!



Coverage of up to 2,000 sq. ft.



Gigabit Ethernet for blazing fast streaming



Quick Charge 3.0 technology



Smart Roaming around home



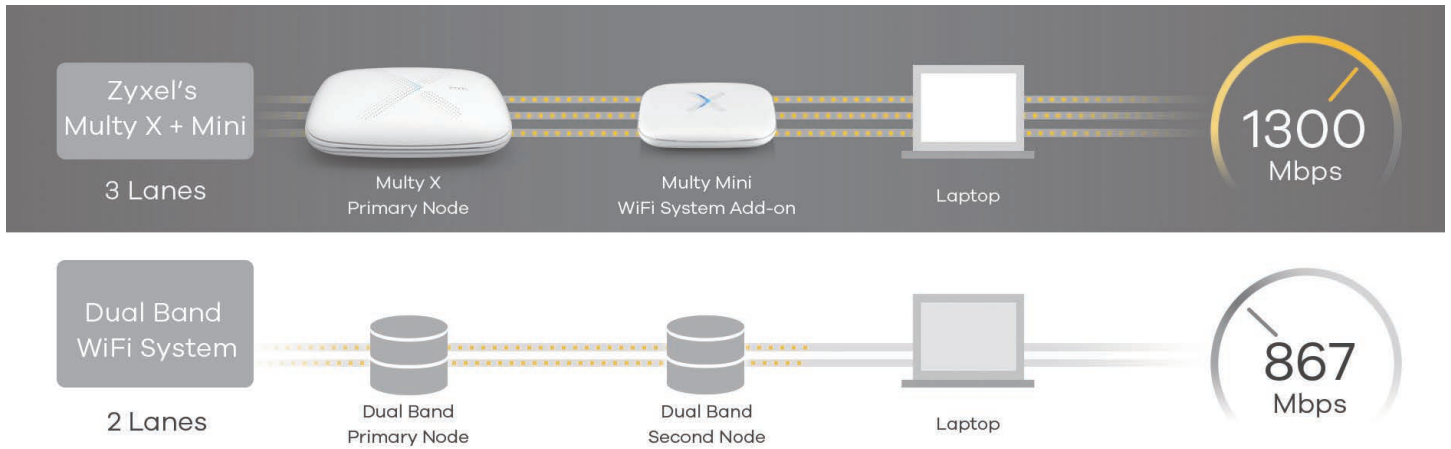
Intelligent Multy app for easy setup



Benefits

Faster connection for the ultimate WiFi experience

Compared to 2x2 mesh WiFi systems, the Zyxel Multy Mini has 3x3 MIMO antenna design connecting at maximum wireless speed on your Multy X system, this provides faster WiFi connections to all your wireless devices.



Stunningly mini design

Inheriting the Zyxel Multy X's design, Mini's all-white color reflects simplicity and purity. Multy Mini is half the size of Multy X. The Multy Mini's compact design allows you to discretely place it anywhere in your home.



Quick charge for mobile device

Save a few bucks from getting an additional Quick Charge adapter for your mobile device, Multy Mini is equipped with Qualcomm Quick Charge 3.0 providing faster charges for your mobile devices.



Gigabit Ethernet for blazing speed

The Zyxel Multy Mini provides top of the line Ethernet connection speed for all your wired devices. Connect to your Multy Mini for faster data transfer for gaming, streaming, and data backup.



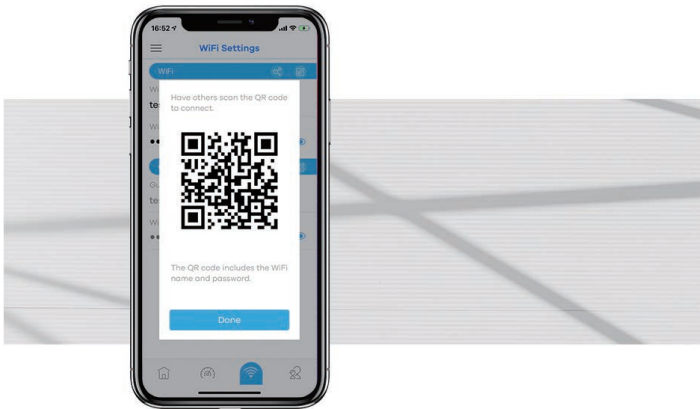
Setup with your existing Zyxel Multy app

Use the "Zyxel Multy" app to sync Multy Mini to your existing Multy X WiFi system. It's fast and easy! The free Multy app guides you through the installation step by step to create your entire home's WiFi network.



Easily share your home WiFi

Share a guest WiFi network and password with a simple QR code. Create a separate wireless network without revealing your own private WiFi password.



Seamless roaming with unified network

Roam freely around your home without memorizing additional WiFi network settings. Utilize your existing WiFi name and password.



Specifications

System Specifications

Wireless Standard

- IEEE 802.11 b/g/n/2.4 GHz – 64 QAM support
- IEEE 802.11 a/n/ac 5 GHz – 256 QAM support

Wireless Transfer Rate

- Transmit & Receive:
 - 450 Mbps* for 2.4 GHz
 - 1300 Mbps* for 5 GHz

Coverage

- Up to 2000 sq. ft./186 m² (Multy Mini)
- Up to 4500 sq. ft./418 m² (Multy X + Multy Mini)

App

Multy app

- Easy to setup
 - Support myZyxeCloud SSO (Single-Sign-On) system
 - Quick Bluetooth setup
 - Support wireless site survey to identify optimum installation locations between node to node
 - Support combining/separating 2.4 GHz and 5 GHz WiFi network from each other in WiFi system
- Support Internet access control
 - Block or allow specific group based on time schedule
 - Flexible override Internet access for specific device group
- Support visitor network setting
 - Share network name and password via QR code for visitors
 - Monitor of active concurrent visitor devices connected
- Diagnose network via speed test
- Push notification
 - New device connected
 - New firmware available
 - Speed test result
- Remote management
- Automatic updates for new features
- Support iOS 9/Android 5.0 or later
- Support language: EN/ZH/DE/ES/FR/IT/PT

Hardware Specifications

- CPU: Qualcomm QCA9563
- Memory: 128 MB
- Flash: 128 MB
- LAN: one 10/100/1000 Mbps Ethernet RJ-45 port with auto MDI/MDIX support
- Antenna: 6 internal antennas
- One USB port for Qualcomm Quick Charge 3.0
- LED indicator:
 - Status
- Button:
 - Reset
- Power: 12 V DC, 3 A
- Power consumption:
 - 16 watt without Quick Charging
 - 34 watt with Quick Charging

Physical Specifications

- Item dimensions (WxDxH): 142 x 122 x 33 mm (5.59" x 4.8" x 1.3")
- Item weight: 285 g (0.62 lb.)

Multy Mini Pack

- Packing dimensions (WxDxH): 280 x 175.5 x 61.5 mm (11.02" x 6.9" x 2.42")
- Packing weight: 1388 g (3.06 lb.)

Multy X + Multy Mini Pack

- Packing dimensions (WxDxH): 337 x 213.5 x 103.5 mm (13.26" x 8.4" x 4.07")
- Packing weight: 2365 g (5.21 lb.)

Environmental Specifications

Operating Environment

- Temperature: 0°C to 40°C (32°F to 104°F)
- Humidity: 10% to 90% (Non-condensing)

Storage Environment

- Temperature: -30°C to 70°C (-22°F to 158°F)
- Humidity:

10% to 95% (Non-condensing)

Certifications

- Safety: CE-LVD, BSMI, EAC
- EMC: CE, FCC, NCC, BSMI, EAC
- Qualcomm Quick Charge 3.0

Package Contents

- Multy Mini
- Eco smartphone holder
- Power adapter
- Ethernet cable (Multy X & Mini pack only)
- Quick start guide
- Warranty form

* The maximum wireless data transfer rates of up to 450 Mbps at 2.4 GHz and 1300 Mbps at 5 GHz in simultaneous transmission are derived from the IEEE Standard 802.11 specifications. Actual data transfer rates may vary from network conditions including: distance, network traffics, building site material/construction, interference from other wireless devices and other adverse factors.

Download App

For Multy Installation



Q Zyxe Multy

For more product information, visit us on the web at www.zyxe.com

Copyright © 2020 Zyxe and/or its affiliates. All rights reserved. All specifications are subject to change without notice.

