



# XMG2230 Series

24/48-port GbE and 2.5G L3 Access Switch with 4 10G Uplink

The growing demand for higher wireless bandwidth in small and medium-sized businesses (SMBs) continues to drive wireless technology forward. With WiFi 7 pushing speeds to 2.5Gbps and beyond, a robust infrastructure is essential. Introducing the XMG2230 Series—a line of Multi-Gig Layer 3 Access PoE switches available in 28- and 52-port models. The XMG2230-28HP features PoE-capable 2.5G Multi-Gig ports, while the XMG2230-52HP offers a mix of Gigabit and 2.5G PoE ports. Both models include four additional 10G SFP+ fiber uplinks for high-speed connectivity. Additionally, the unique dual power options—AC and DC—ensures a reliable wired infrastructure for WiFi 7.

## Benefits

### Upgrade network with flexible connection choices

The XMG2230 Series Switch features 2.5G copper ports and 10G fiber uplinks for flexible wiring. It boosts network speeds up to 2.5x using existing Gigabit cabling, protecting your investment without costly upgrades. Additionally, the 52-port option is ideal for large or high-demand network environments, such as enterprise office, education/campus, hospitality, healthcare facilities and so on. The mixture of 1G and 2.5G ports allows efficient allocation of bandwidth based on actual device requirement, while balancing cost and performances for future proving networks.



Flexible Multi-Gig port configuration for scalable WiFi 7 rollouts



High resiliency and stability with dual power source options of internal AC primary, optional external DC backup



Adaptive PoE power budget with either internal AC power 700W (28HP)/960W (52HP) or external DC power system 1440W (28HP)/2400W (52HP)



High density 802.3at and 802.3bt (60W/port) for more powerful, flexible, and simplified deployments



NebulaFlex Pro allows you to switch between standalone management and intuitive Nebula cloud managed mode with 1-YEAR Pro Pack bundled



Tailor-made Networked AV mode brings efficiency to professional AVoIP networking setups and monitoring services



Zyxel **one** network  
Redefining network integration

## Segment your network more effectively for security

Designed for SME networks, this series of switch supports full L2 feature sets of VLAN, ACL, port aggregation, mirroring and with all the necessary security features to protect your network, and essential L3 access features for converged voice, video, and data. With multi-gigabit technology, it maximizes performance while simplifying deployment, making it ideal for today's and tomorrow's business networks.

## Resiliency and availability

The XMG2230 Series is designed with superior network resiliency in mind, offering dual power sources with a primary AC input and an optional external DC power supply for active-standby power redundancy, enabling automatic switchover to backup power if the main source fails. This ensures there is no system downtime in the event of a power outage. As the backbone of a WiFi 7 environment, the dual power design prevents unexpected failures that could disrupt wireless connections and ensures continuous, stable connectivity.

## High-power, adaptive PoE for modern business devices

Both models are PoE-capable: the 28-port model supports 2.5G and PoE++ on all ports, making WiFi 7 upgrades simple; the 52-port model offers a mix of 1G/2.5G and PoE+/PoE++ for greater deployment flexibility. The XMG2230 Series delivers a high PoE power budget—700W (28HP) and 960W (52HP)—supporting a broad range of power-hungry applications such as high-performance WiFi, video conferencing, IP surveillance, thin/zero clients, smart building, IoT, and AV applications. Active-Standby power redundancy enhances reliability, while an external DC input allows integration with backup power systems or full DC operation. This design increases the 28HP's budget to 1440W and sustains 2400W for the 52HP, ensuring consistent performance even during AC power failures.

## Model List

### XMG2230-28HP

24-port 2.5G PoE L3 Access Switch with 4 10G Uplink



- 24 x Multi-Gigabit (100M/1G/2.5G) PoE++ RJ-45 ports
- 4 x 10GbE SFP+ slots
- PoE power budget:
  - AC input: 700W
  - DC input: 1,440W

## NebulaFlex Pro – Manage your network your way, anytime

The support of NebulaFlex Pro lets you easily switch network management modes between standalone and the Nebula cloud management platform. With just a few clicks, you can manage a unified cloud network spanning switches, access points, firewalls, and 5G/LTE routers. Bundled with a 1-year Pro Pack license, NebulaFlex Pro allows you to change your management mode anytime at no extra cost, protecting your previous wired technology investments. Upon registration, you gain access to advanced features for one year, including IGMP technology for efficient multicast handling, real-time analytics alerts for proactive optimization, and a built-in Port Advisor that detects abnormalities in your wired network. More enhancements and advanced features will be introduced in future NCC and mobile app updates.

## Dedicated networked AV mode

Traditional switch interfaces pack numerous generic networking features, making it challenging for AV system integrators to set up IP networks for audio and video. The XMG2230 Series addresses this with a purpose-built Networked AV mode in a standard switch interface, starting with an intuitive setup wizard and using AI to configure the network automatically. A graphical dashboard offers a clear view of key AV elements such as IGMP and IP settings, while a simplified function menu ensures easy monitoring and management. Its high-performance architecture delivers superior AVoIP performance—especially for high-resolution or multiple concurrent streams—ensuring smooth, efficient AV networking with minimal complexity. With built-in support for Dante and AES67 profiles in the setup wizard, the XMG2230 further enhances audio performance and interoperability in professional AV environments.

### XMG2230-52HP

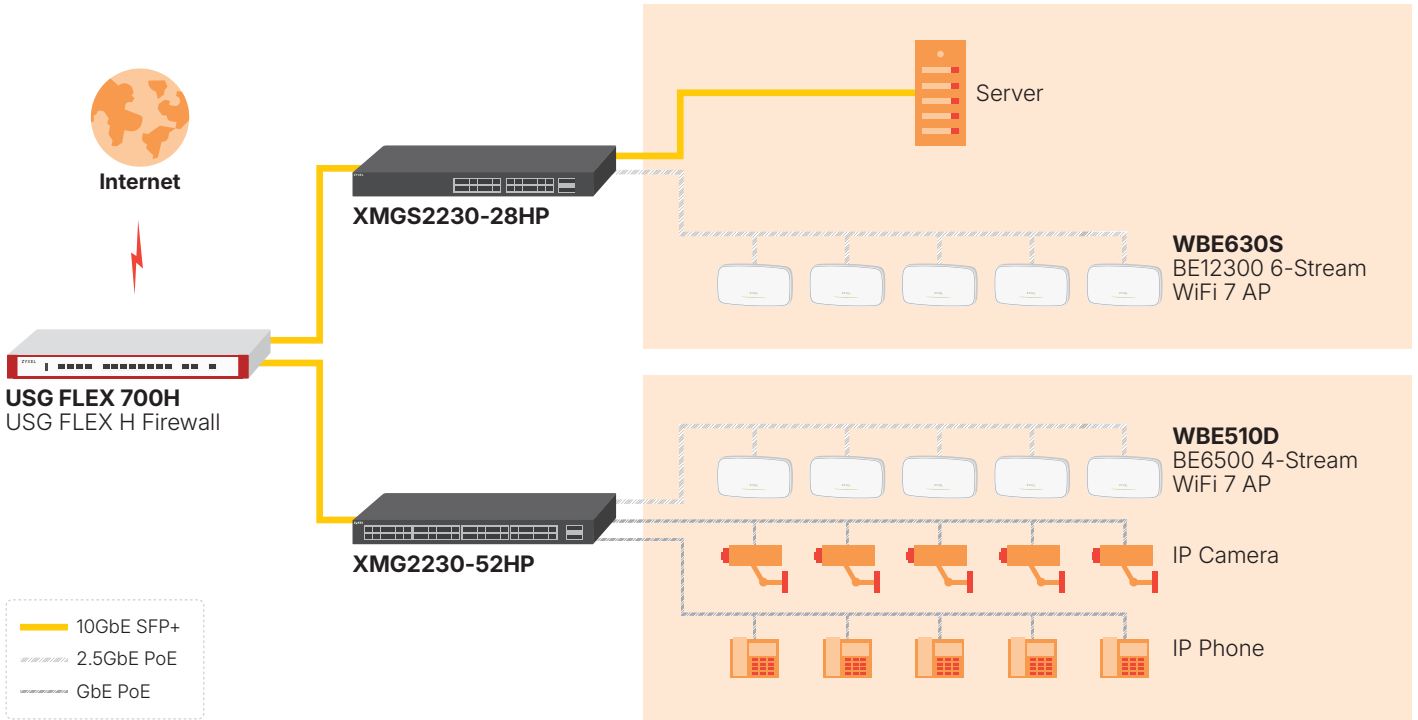
32-port GbE and 16-port 2.5G PoE L3 Access Switch with 4 10G Uplink



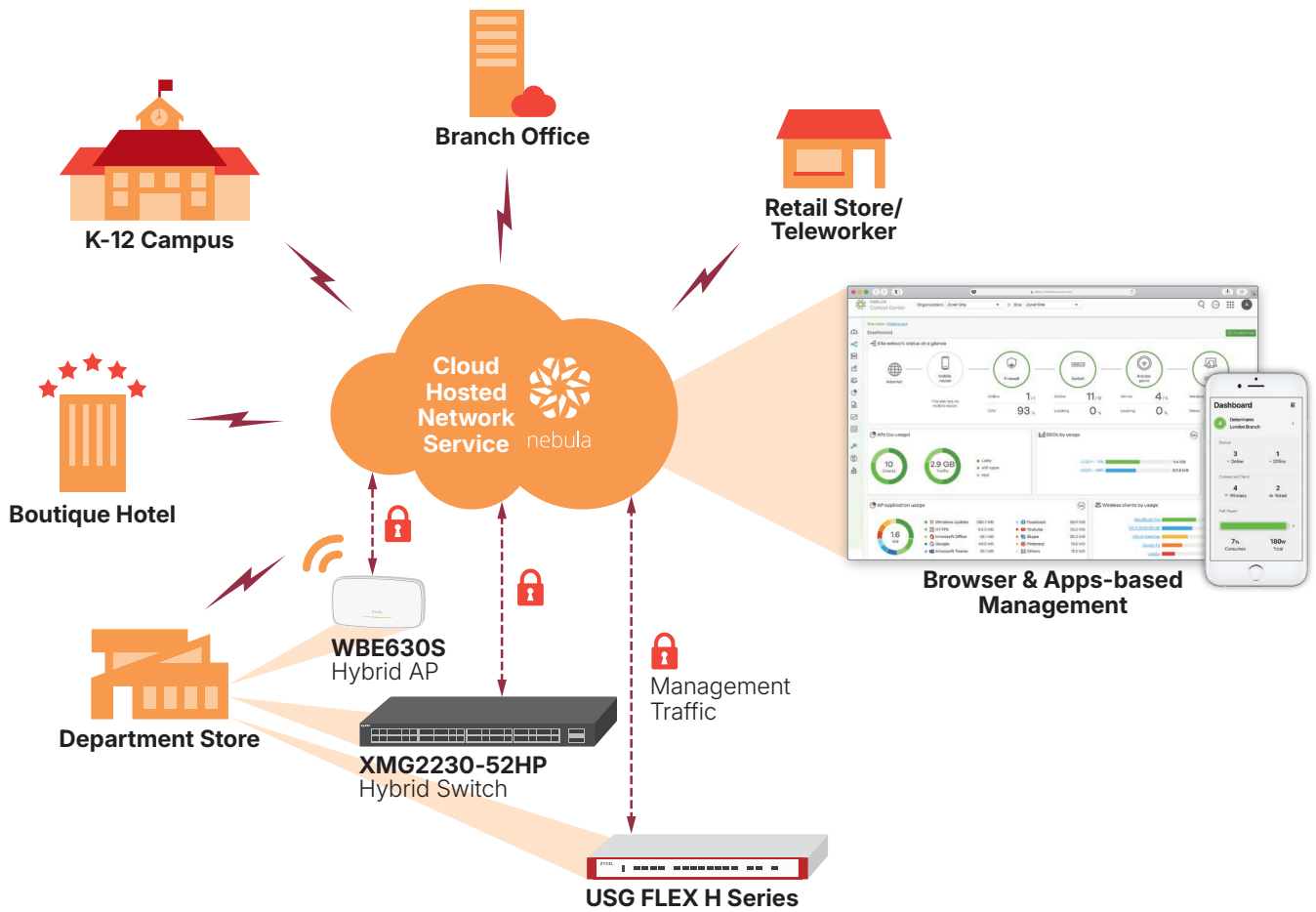
- 16 x GbE PoE+ RJ-45 ports
- 16 x GbE PoE++ RJ-45 ports
- 16 x Multi-Gigabit (100M/1G/2.5G) PoE++ RJ-45 ports
- 4 x 10GbE SFP+ slots
- PoE power budget:
  - AC input: 960W
  - DC input: 2,400W

# Application Diagram



## Standalone Mode



## Cloud Mode



## Specifications

Model	XMG2230-28HP	XMG2230-52HP
<b>Product name</b>	24-port 2.5G PoE L3 Access Switch with 4 10G Uplink	32-port GbE and 16-port 2.5G PoE L3 Access Switch with 4 10G Uplink
		
<b>Switch class</b>	Layer 3 Access	Layer 3 Access
<b>Port Density</b>		
<b>Total port count</b>	28	52
10M/100M/1G (RJ-45)	-	32
100M/1G/2.5G Ethernet (RJ-45)	24	16
10 Gigabit SFP+	4	4
<b>PoE</b>		
<b>PoE ports</b>	24	48
<b>Total PoE budget (watts)</b>	Internal AC input: 700 External DC input: 1,440	Internal AC input: 960 External DC input: 2,400
<b>IEEE 802.3at PoE+</b>	-	Yes Port 1 ~ Port 16
<b>IEEE 802.3bt PoE++ (60W)</b>	Yes Port 1 ~ Port 24 (100M/1G/2.5G)	Yes Port 17 ~ Port 32 (100M/1G) Port 33 ~ Port 48 (100M/1G/2.5G)
<b>Performance</b>		
<b>Switching capacity (Gbps)</b>	200	224
<b>Forwarding rate (Mpps)</b>	148.8	166.6
<b>Packet buffer (byte)</b>	2MB	2MB
<b>MAC address table</b>	32K	32K
<b>Jumbo frame (byte)</b>	12KB	12KB
<b>L3 forwarding table (IPv4/IPv6)</b>	Max. 2K IPv4 entries; Max. 2K IPv6 entries	Max. 2K IPv4 entries; Max. 2K IPv6 entries
<b>Routing table</b>	64	64
<b>VLAN routing</b>	Yes	Yes
<b>IP interface (IPv4/IPv6)</b>	32/32	32/32
<b>Flash/RAM</b>	64MB/1GB	64MB/1GB
<b>Power</b>		
<b>Input</b>	100-240V AC, 50/60Hz 50-57V DC	100-240V AC, 50/60Hz 50-57V DC
<b>Min. power consumption (watts) Without any port connection</b>	AC: 32.6/DC: 25.5	AC: 37.5/DC: 32
<b>Max. power consumption (watts) All ports full load without PoE</b>	AC: 64.7/DC: 51.5	AC: 72.4/DC: 55.5
<b>Max. power consumption (watts) All ports full load with PoE</b>	AC: 842.3/DC: 1519.1	AC: 1187.9/DC: 2525
<b>Physical Specifications</b>		
<b>Item</b>	<b>Dimensions (WxDxH)(mm/in.)</b>	441 × 330 × 44/17.36 × 12.99 × 1.73
	<b>Weight (kg/lb.)</b>	4.53/9.99
<b>Packing</b>	<b>Dimensions (WxDxH)(mm/in.)</b>	580 × 503 × 95/22.83 × 19.8 × 3.74
	<b>Weight (kg/lb.)</b>	6.81/15.01
<b>Included accessories</b>	<ul style="list-style-type: none"> <li>• Power cord</li> <li>• Rack mounting kit</li> </ul>	<ul style="list-style-type: none"> <li>• Power cord</li> <li>• Rack mounting kit</li> </ul>

Model	XMG2230-28HP	XMG2230-52HP	
<b>ESD/Surge Protections</b>			
Ethernet port surge protection	2KV	2KV	
Power supply surge protection	Line-GND	2KV	
	Line-Line	1KV	
ESD protection (air/contact)	8KV/6KV	8KV/6KV	
<b>Environmental Specifications</b>			
Operating	Temperature	-20°C to 50°C/-4°F to 122°F	-20°C to 50°C/-4°F to 122°F
	Humidity	5% to 95% (non-condensing)	5% to 95% (non-condensing)
Storage	Temperature	-40°C to 70°C/-40°F to 158°F	-40°C to 70°C/-40°F to 158°F
	Humidity	5% to 95% (non-condensing)	5% to 95% (non-condensing)
MTBF (hr @ 25°C)	AC: 554,612.62/DC: 483,006.55	AC: 389,089.55/DC: 401,112.30	
Heat dissipation (BTU/hr)	2,856	4,153.7	
Acoustic noise @ 25°C (min/max, dBA)	28.92/48.85	41.59/63.76	

## Features

### Standard Compliance

- IEEE 802.3z 1000BASE-X\*
- IEEE 802.3ab 1000BASE-T Ethernet\*
- IEEE 802.3an 10GBASE-T Ethernet\*
- IEEE 802.3bz 2.5GBASE-T/5GBASE-T\*
- IEEE 802.3ae 10Gbit/s Ethernet over fiber\*
- IEEE 802.3af PoE\*
- IEEE 802.3at PoE plus\*
- IEEE 802.3bt (60W) PoE over 4 pair\*
- IEEE 802.3az EEE
- IEEE 802.3x flow control\*
- IEEE 802.1AB LLDP/LLDP-MED\*
- IEEE 802.1Q VLAN tagging
- IEEE 802.1p Class of Service (CoS) prioritization\*
- IEEE 802.1X port authentication\*

### Resilience and Availability

- IEEE 802.1D Spanning Tree Protocol (STP)\*
- IEEE 802.1w Rapid Spanning Tree Protocol (RSTP)\*
- IEEE 802.1s Multiple Spanning Tree Protocol (MSTP)
- IEEE 802.3ad LACP\* (Max # Trunks/Links per Trunk):
  - XMG2230-28HP: 14/8
  - XMG2230-52HP: 26/8
- Loop guard\* (with broadcast packet detection mechanism)
- Root guard\*
- BPDU guard\*
- ErrDisable recovery
- MRSTP (Zyxel Proprietary)

- Dual configuration files
- Dual images\*
- ZULD
- Physical stacking up to 4 units\* (future firmware support)

### Traffic Control

- 802.1Q static VLANs\*/dynamic VLANs: 4K/4K
- Port-based VLAN
- VLAN isolation
- Vendor ID based VLAN\*
- Protocol-based VLAN
- IP subnet-based VLAN
- MAC-based VLAN
- Private VLAN
- Voice VLAN\*
- Independent VLAN Learning (IVL)
- VLAN Translation
- VLAN trunking
- VLAN mapping
- IEEE 802.1AD VLAN stacking (QinQ)
- VLAN ingress filtering
- LACP algorithm of source/destination IP or MAC\*
- GVRP
- L2PT

### Security

- Port security\*
- Layer 2 MAC filtering\*
- Layer 3 IP filtering
- Layer 4 TCP/UDP socket filtering
- Static MAC forwarding
- Multiple RADIUS servers\*

- Multiple TACACS+ servers
- 802.1x VLAN and 802.1p assignment by RADIUS
- Login authentication by RADIUS
- Login authentication by TACACS+
- TACACS+ accounting
- RADIUS accounting
- Authorization on RADIUS
- Compound authentication
- Authorization on TACACS+
- SSH v2\*
- SSL
- MAC freeze
- IP source guard (IPv4\*/IPv6)
- DHCP snooping
- DHCP Server Guard
- ARP inspection
- ARP freeze
- Anti-ARP scan
- Static IP-MAC-Port binding: 128
- Policy-based security filtering
- Port isolation\*
- MAC search\*
- Guest VLAN\*
- ACL packet filtering IPv4\* (on-premise/ Nebula cloud): 256/128
- ACL packet filtering IPv6: 128
- CPU protection
- Interface related trap enable/disable (by port)
- MAC-based authentication per VLAN
- BPDU transparency
- PPPoE relay agent/option82
- WoL/WoL Relay

## Quality of Service (QoS)

- No. of hardware queues per port\* (on-premise/Nebula cloud): 8/6
- Storm control and event log: Broadcast, multicast, unknown unicast (DLF)\*
- Port-based rate limiting\* (ingress/egress)
- Rate limiting per IP/TCP/UDP per port
- Policy-based rate limiting
- 802.1p Class of Service (SPQ, WFQ, WRR, hybrid-SPQ combination capable)
- DiffServ (DSCP)
- Multicast/Unknown Unicast (DLF)

## Layer 2 Multicast

- L2 multicast\*: 1K
- IGMP snooping (v1, v2, v3)\*
- IGMP snooping fast leave\*
- IGMP snooping immediate leave\*
- Configurable IGMP snooping timer and priority\*
- IGMP snooping statistics\*
- IGMP throttling\*
- IGMP filtering\*
- IGMP proxy mode & snooping mode selection\*
- Multicast load sharing over trunking port
- Static mulitcast
- MVR support
- MLD snooping (MLD v1/v2)

## Routing

- Static route (IPv4\*/IPv6): 64/64
- DHCP relay

## Manageability

- SNMP v1\*, v2c\*, v3
- SNMP trap group
- RMON (1, 2, 3, 9)
- ICMP echo/echo reply
- Syslog\*
- Display port utilization\*

## IPv6 Management

- IPv6 over Ethernet (RFC 2464)
- IPv6 addressing architecture (RFC 4291)
- Dual stack (RFC 4213)
- ICMPv6 (RFC 4443)
- Path MTU (RFC 1981)
- Minimum path MTU size of 1280 (RFC 5095)
- Encapsulation for maximum PMTU of 1500
- Neighbor discovery (RFC 4861)
- DHCPv6 snooping
- IPv6 binding- static/dynamic
- Extend Radius server
- DHCPv6 relay
- Default DHCP client mode\*

## Device Management

- Support NebulaFlex Pro for hybrid mode
- Standalone management by Web interface
- Cloud management by Nebula Control Center\*
- Auto configuration recovery (only for cloud mode)
- Networked AV mode by Web Interface
- Zyxel iStacking™
- Management through Console, Telnet, SNMP
- Remote firmware upgrade by FTP/Web/TFTP
- Configuration saving and retrieving\*
- Multiple logins supported
- Configure clone\*
- Custom default Configuration
- Multilevel CLI\*
- CLI (Cisco-like)
- DHCP relay per VLAN\*
- DHCP client IPv4\*/IPv6
- DHCP client option 60
- DHCP option 82\*
- Daylight saving\*
- DHCP relay MAC proxy
- NTP Support IPv4/IPv6: 3
- Port mirroring\*
- Policy-based mirroring

- Mirror CPU
- VLAN-based mirroring
- USB-C console port
- Scheduled PoE\*
- PoE default consumption mode\*
- Auto PD Recovery\*
- Continuous PoE
- LLDP power via MDI
- sFlow
- LED ECO mode to turn-off port LED
- DHCP Server

## MIB

- Zyxel Private MIB
- Zyxel Common MIB
- RFC 1066 TCP/IP-based MIB
- RFC 1213, 1157 SNMPv2c/v3 MIB
- RFC 1493, 4188 bridge MIB
- RFC 1643 Ethernet MIB
- RFC 1757 RMON group 1, 2, 3, 9
- RFC 2011, 2012, 2013 SNMPv2 MIB
- RFC 2233 SMIv2 MIB
- RFC 2358 Ethernet-like MIB
- RFC 2674 bridge MIB extension
- RFC 2819, 2925 remote management MIB
- RFC 3621 power Ethernet MIB
- RFC 4022 management information base for transmission control protocol
- RFC 4113 management information base for user datagram protocol
- RFC 4292 IP forwarding table MIB
- RFC 4293 Management Information Base (MIB) for IP
- Cable diagnostic MIB

## Certifications

### Safety

- LVD
- BSMI Safety

### EMC

- FCC Part 15 (Class A)
- CE EMC (Class A)
- BSMI EMC

### RoHS

## Zyxel One Network

### ZON Utility\*

- Discovery of Zyxel switches, APs and gateways
- Centralized and batch configurations:
  - IP configuration
  - IP renew
  - Device factory reset
  - Device reboot
  - Device locating
  - Web GUI access
  - Password configuration
  - One-click quick association with Zyxel AP Configurator (ZAC)

- Automatic detection of the latest firmware
- Displays device serial number and hardware version
- Cloud mode on/off option for Hybrid series devices
- Intuitive Cloud connection status

### Smart Connect

- Discover neighboring devices
- One-click remote management access to the neighboring Zyxel devices
- Reset neighboring devices remotely to factory defaults
- Power cycle neighboring powered devices

## Warranty

- Limited life-time warranty\*\*

\* Nebula Cloud and Standalone modes supported features. Some Nebula features may need an extra license to work. For more details on the features and licenses, check [Nebula Licensing Table](#).

\*\* Warranty terms, service availability, and service response times may vary from country or region to country or region.

## Accessories

### Transceivers (Optional)

Model	Speed	Connector	Wavelength	Max. Distance	DDMI
<b>SFP10G-T*</b>	10-Gigabit SFP+	RJ-45	-	0.03km (32.8yd)	Yes
<b>SFP10G-SR</b>	10-Gigabit SFP+	Duplex LC	850nm	0.3km (328yd)	Yes
<b>SFP10G-SR-E</b>	10-Gigabit SFP+	Duplex LC	850nm	0.3km (328yd)	Yes
<b>SFP10G-LR</b>	10-Gigabit SFP+	Duplex LC	1310nm	10km (10936yd)	Yes
<b>SFP10G-LR-E</b>	10-Gigabit SFP+	Duplex LC	1310nm	10km (10936yd)	Yes
<b>SFP-1000T</b>	Gigabit	RJ-45	-	0.1km (109yd)	-
<b>SFP-SX-D</b>	Gigabit	Duplex LC	850nm	0.55km (601yd)	Yes
<b>SFP-SX-D-E</b>	Gigabit	Duplex LC	850nm	0.55km (601yd)	Yes
<b>SFP-LX-10-D</b>	Gigabit	Duplex LC	1310nm	10km (10936yd)	Yes
<b>SFP-LX-10-D-E</b>	Gigabit	Duplex LC	1310nm	10km (10936yd)	Yes
<b>SFP-BX1310-E</b>	Gigabit	Single LC	1310nm (Tx); 1550nm (Rx)	20km (21872yd)	Yes
<b>SFP-BX1550-E</b>	Gigabit	Single LC	1550nm (Tx); 1310nm (Rx)	20km (21872yd)	Yes

\*Note: Connecting copper transceivers to your switches

1. Works with Cat6a/7 Cable up to 30m. Please ensure the switch has proper ventilation to dissipate extra heat from the 10G BASE-T transceiver.

2. It is recommended to use no more than two 10GbE copper module simultaneously to avoid overheating and ensure reliable operation.

3. Ensure adequate spacing between connected 10GbE copper devices, and maintain sufficient airflow and cooling around the switch to optimize performance and longevity.

### Direct Attach Cables (Optional)

Model	Connector	Cable Length
<b>DAC10G-1M</b>	SFP+ to SFP+	1m (39.37inch)
<b>DAC10G-3M</b>	SFP+ to SFP+	3m (118.11inch)

### Ordering Information

Model	EAN	PN
<b>XMG2230-28HP</b>	4718937645312	XMG2230-28HP-ZZ0101F
<b>XMG2230-52HP</b>	4718937645336	XMG2230-52HP-ZZ0101F

For more product information, visit us on the web at [www.zyxel.com](http://www.zyxel.com)

Copyright © 2026 Zyxel and/or its affiliates. All rights reserved.  
All specifications are subject to change without notice.



07/05/26