



# RPS300/RPS600-HP

Redundant Power Supply

Version 1.00  
Edition 1, 05/2013

## Hardware Installation Guide

---

**IMPORTANT!**

**READ CAREFULLY BEFORE USE.**

**KEEP THIS GUIDE FOR FUTURE REFERENCE.**

This guide shows how to install the power module in the Switch. Graphics in this book may differ slightly from your product. Every effort has been made to ensure that the information in this manual is accurate.

### **Related Documentation**

- Rack Mounting Hardware Installation Guide  
This guide shows you how to use the rack mounting kit to install the Switch in a rack.
- Fan Module Hardware Installation Guide  
This guide shows you how to install the fan module in the Switch.
- User's Guide  
This guide shows how to use the Web Configurator to configure the Switch.
- CLI Reference Guide  
This guide explains how to use the Command-Line Interface (CLI) to configure the Switch.
- Web Configurator Online Help  
Click the help icon in any web configurator screen for help in configuring that screen and supplementary information.

# Power Module Installation

## 1.1 Overview

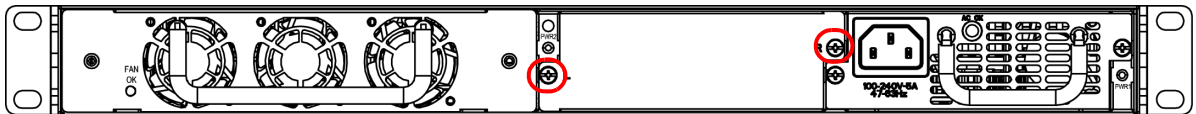
Although all modules are hot-swappable, it is recommended you disconnect power or make sure you are safely grounded and dry before installing or removing power modules.

There is one power module installed in the first power slot of the Switch by default. This section shows you how to install a second power module or remove the power module.

### 1.1.1 Installing a Power Module

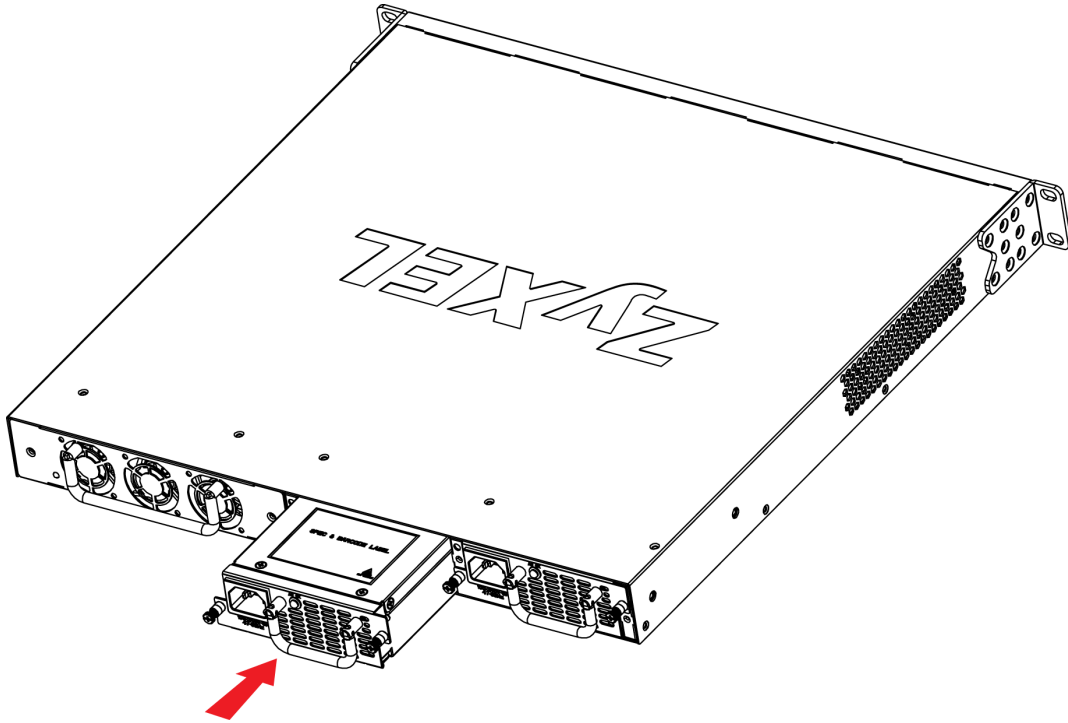
Use the following procedure to install a power module in the Switch.

- 1 Use a screwdriver to loosen the screws on a power slot cover and remove it.

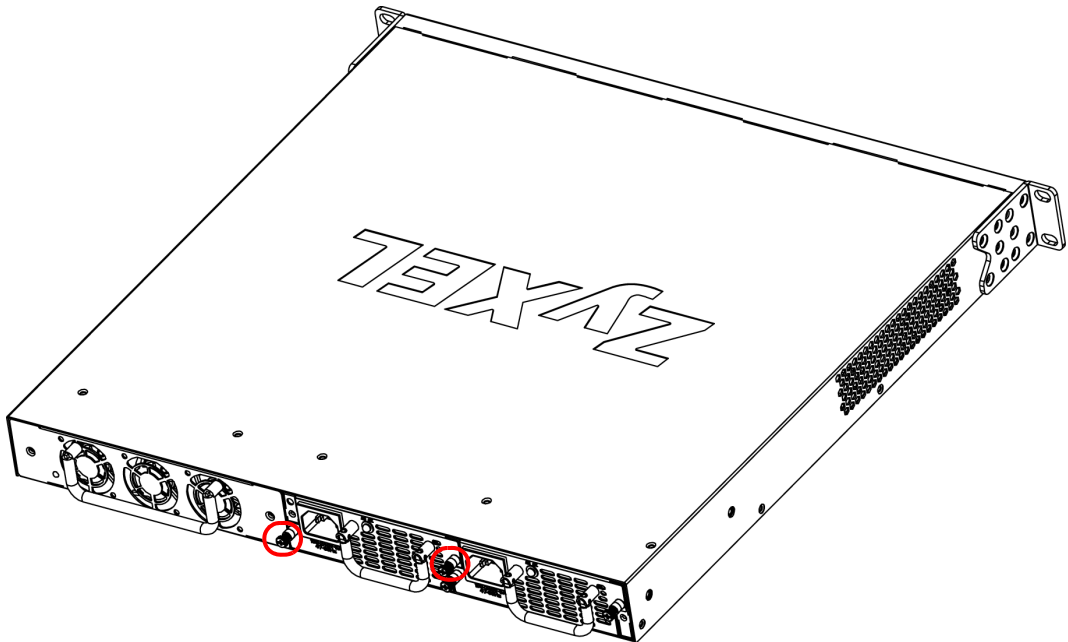


- 2 Grab the handle of the front panel of a power module with one hand and place the other hand under it to support it.

- 3 Insert the power module into the slot.



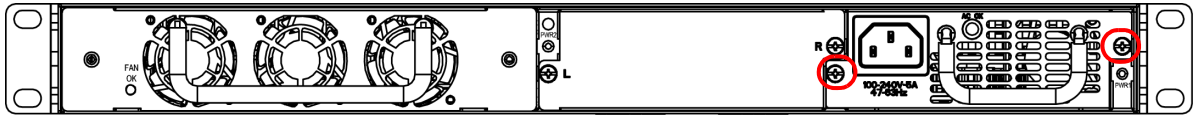
- 4 Slide the power module into the slot until it makes contact with the backplane and tighten the screws.



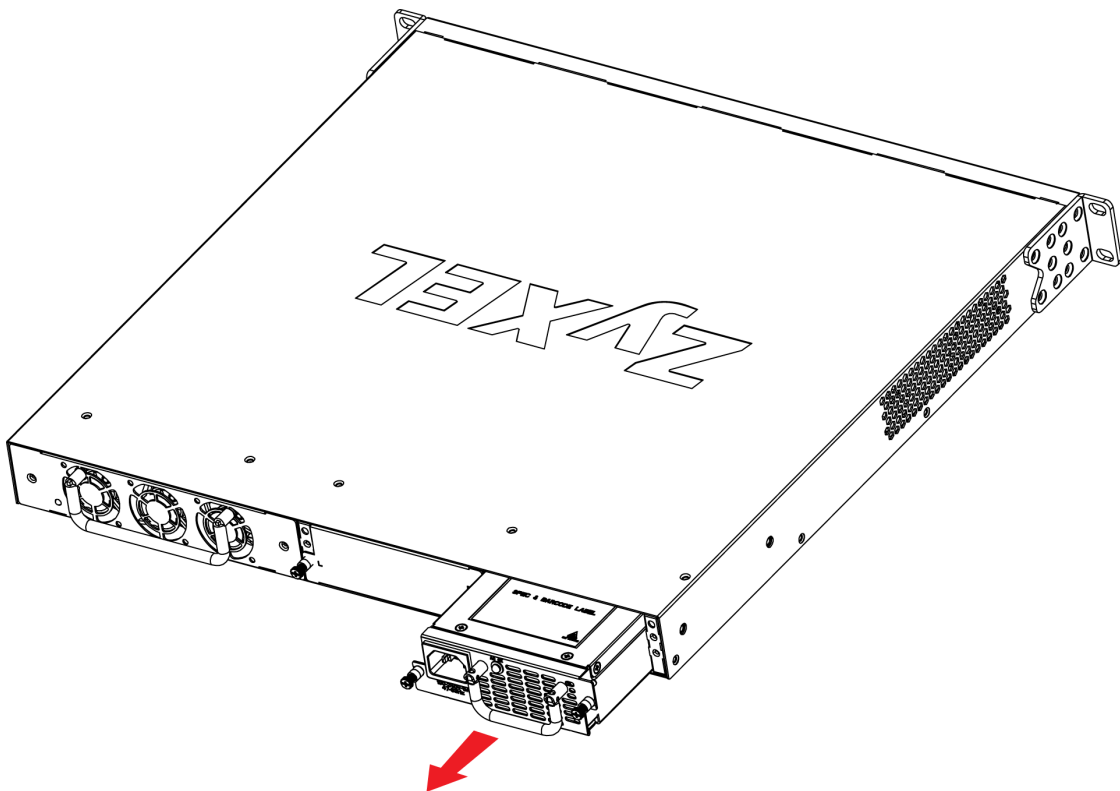
## 1.1.2 Removing a Power Module

Use the following procedure to remove a power module from the Switch.

- 1 Disconnect the power before you begin.
- 2 Use a screwdriver to loosen the screws on the front panel of the power module.



- 3 Grab the handle and slide the power module out.



- 4 Use a screwdriver and screws to put the power slot cover back.

## 1.1.3 Power Module LEDs

The following table describes the power module LED.

**Table 1** Power Module LEDs

LED	COLOR	STATUS	DESCRIPTION
AC OK	Green	On	The module is functioning normally.
		Off	The power is off or the module is not ready or malfunctioning.

