



XS1935 Series

10/12-port 10G Multi-Gigabit Lite-L3 Smart Managed Switch

As businesses adopt cloud applications, AI-driven workloads, and high-definition collaboration tools, network performance is critical. With WiFi 7 delivering speeds beyond 10 Gbps, the demand for faster, more efficient wired infrastructure is growing. Zyxel's XS1935 Series Switch is built for modern networks with future-ready technology. It includes three models—non-PoE, PoE, and fiber—each featuring ultra-high-speed downlink and uplink up to 10 Gigabit. Also, the smart fan design delivers near silent and stable Multi-Gig 10G operation.

Benefits

Unlock the Future of Networking with 10G Multi-Gig Switches

A 10G Multi-Gig switch provides the flexibility to support 100M, 1G, 2.5G, 5G, and 10G connections, allowing businesses to upgrade their network gradually without overhauling their entire infrastructure. This ensures that high-performance devices such as servers, NAS, workstations, and next-gen WiFi 7 access points can operate at their full potential without bottlenecks.



Supports Multi-Gig speeds up to 10G/5G/2.5G/1G/100M



PoE model supports 802.3bt (90W/port), with high PoE availability up to 400W



NebulaFlex allows you to switch between standalone and license-free Nebula cloud management flexibly



Features with rich L2 functions and L3 static routing capability



Colored speed indicators and LED ECO switch are designs with usability in mind

Cable specs	100 Mbps	1 Gbps	2.5 Gbps	5 Gbps	10 Gbps
Cat 5e	✓	✓	✓	✓	-
Cat 6	✓	✓	✓	✓	Up to 55M
Cat 6a	✓	✓	✓	✓	✓

Superior PoE paves the way for high performance WiFi 7 APs

The XS1935-12HP is a reliable Multi-Gig backhaul solution for our WiFi 7 family of access points with 2.5GbE or higher uplinks, ensuring that WiFi 7 performance is not bottlenecked by wired limitations. Its built-in 10Gbps capability makes it especially ideal for our enterprise-grade WBE660S WiFi 7 access point, which features a 10GbE uplink to deliver ultra-fast wired connectivity for data-intensive operations and modern workflows. With support for PoE++ delivering up to 90W per port and a total PoE budget of up to 400W, the XS1935-12HP can flexibly and efficiently power devices such as cameras, video conferencing equipment, smart IoT devices, thin clients, and more.



Trustworthy aggregation switch for agile network expansion

With ten (10) SFP+ fiber ports and advanced features, the XS1935-12F fiber model provides high-bandwidth backbone connectivity for multiple access switches, such as the XGS1935 (a Gigabit switch with 10G uplinks), offering flexible support for diverse network infrastructure demands. It delivers a cost-effective and scalable solution for building a high-bandwidth network backbone, especially suited for SMBs with 100 to 200 users.

Smart managed switch design inside and out

The smart switch XS1935 series is designed with intuitive features in both hardware and software. The 5-color LED design can instantly differentiate ports by speed, as well as the ECO button can turn off the Ethernet port LEDs for distraction free operation. SMB features such as VLAN, enhanced QoS, Link Aggregation, IPv6 and DoS prevention along with IPv4/ IPv6 Layer 3 static routing all can be configured through its user-friendly web interface without learning any complex command line interface (CLI).

NebulaFlex — simply manage it your way!

The support of NebulaFlex allows you to easily switch network management modes between standalone, and our license-free Nebula cloud management platform. Nebula provides both intuitive web interface and mobile App to deliver a streamlined experience for installation and management of your network, without additional cost for a software or hardware controller.



Model List

XS1935-12F

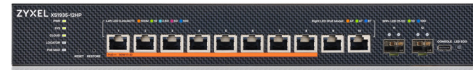
10-port 10G Multi-Gig Lite-L3 Smart Managed Fiber Switch with 2 10G Uplink



- 10 x 10GbE SFP+ slots
- 2 x Multi-Gigabit (100M/1G/2.5G/5G/10G) RJ-45 ports

XS1935-12HP

8-port 10G Multi-Gig PoE Lite-L3 Smart Managed Switch with 4 10G Uplink



- 8 x Multi-Gigabit (100M/1G/2.5G/5G/10G) PoE++ RJ-45 ports
- 2 x Multi-Gigabit (100M/1G/2.5G/5G/10G) RJ-45 ports
- 2 x 10GbE SFP+ slots
- PoE power budget: 400W

XS1935-10

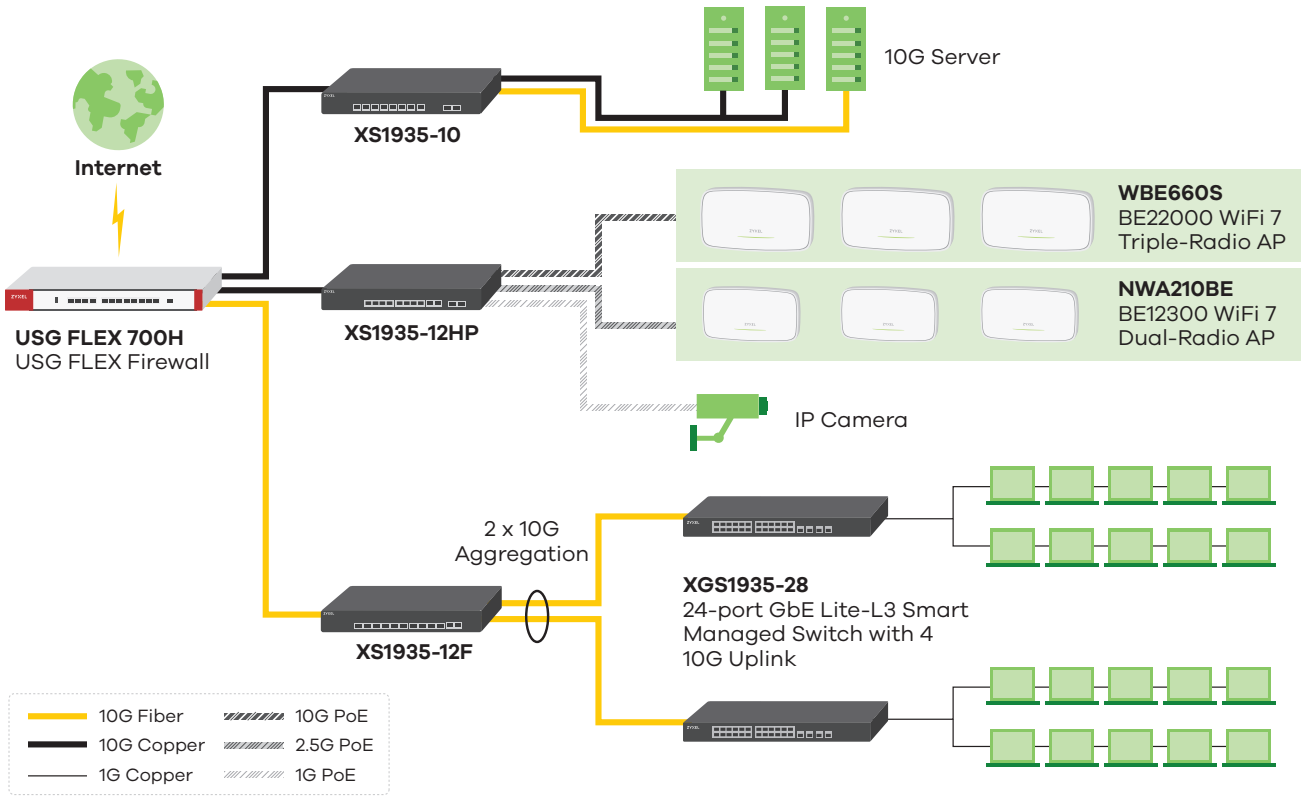
8-port 10G Lite-L3 Smart Managed Switch with 2 10G Uplink



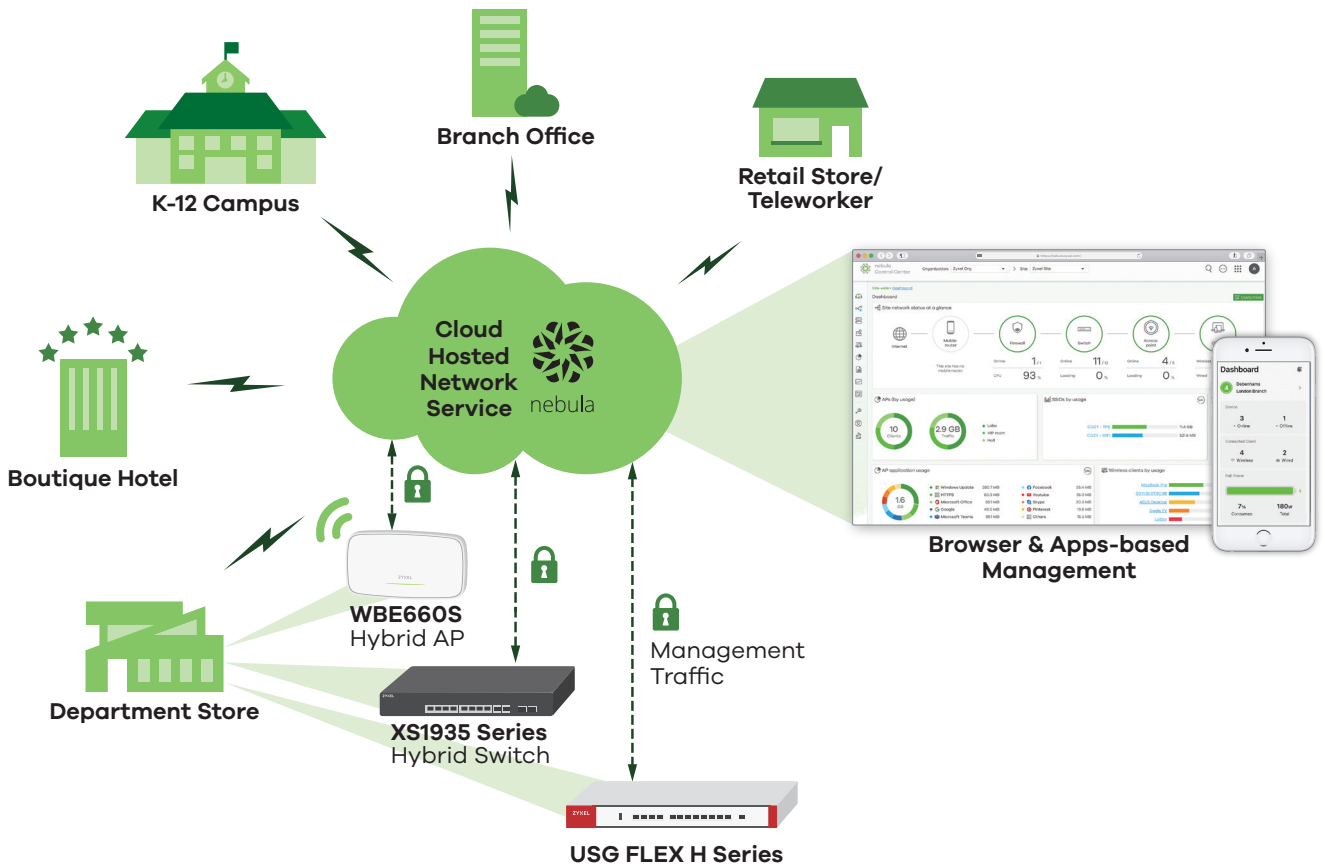
- 8 x Multi-Gigabit (100M/1G/2.5G/5G/10G) RJ-45 ports
- 2 x 10GbE SFP+ slots

Application Diagram

Standalone Mode



Cloud Management



Specifications

Model	XS1935-10	XS1935-12HP	XS1935-12F	
Product name	8-port 10G Lite-L3 Smart Managed Switch with 2 10G Uplink	8-port 10G Multi-Gig PoE Lite-L3 Smart Managed Switch with 4 10G Uplink	10-port 10G Multi-Gig Lite-L3 Smart Managed Fiber Switch with 2 10G Uplink	
Switch class	Smart Managed	Smart Managed	Smart Managed	
Port Density				
Total port count	10	12	12	
100M/1G/2.5G/5G/10G Ethernet (RJ-45)	8	10	2	
10-Gigabit SFP+	2	2	10	
PoE				
PoE ports	-	8	-	
Total PoE budget (watts)	-	400	-	
IEEE 802.3bt PoE++ (90W)	-	Yes	-	
Performance				
Switching capacity (Gbps)	200	240	240	
Forwarding rate (Mpps)	148.8	178.5	178.5	
Packet buffer (byte)	2 MB	2 MB	2 MB	
MAC address table*	16 K	16 K	16 K	
Jumbo frame (byte)	12 KB	12 KB	12 KB	
L3 forwarding table*(IPv4/IPv6)	Max.512 IPv4 entries; Max. 512 IPv6 entries	Max.512 IPv4 entries; Max. 512 IPv6 entries	Max.512 IPv4 entries; Max. 512 IPv6 entries	
Routing table*	32	32	32	
VLAN routing	Yes	Yes	Yes	
IP interface (IPv4/IPv6)	32/32	32/32	32/32	
Flash/RAM	32 MB/256 MB	32 MB/256 MB	32 MB/256 MB	
Power				
Input	100 - 240 V AC, 50/60 Hz	100 - 240 V AC, 50/60 Hz	100 - 240 V AC, 50/60 Hz	
Min. power consumption (watts) Without any port connection	19.94	26.4	15.21	
Max. power consumption (watts) All ports full load without PoE	56.78	64.5	36.65	
Max. power consumption (watts) - All ports full load with PoE	-	511.6	-	
Physical Specifications				
Item	Dimensions (WxDxH)(mm/in.)	330 x 230 x 44/ 12.99 x 9.06 x 1.73	330 x 230 x 44/ 12.99 x 9.06 x 1.73	330 x 230 x 44/ 12.99 x 9.06 x 1.73
	Weight (kg/lb.)	2.4/5.29	2.8/6.17	2.2/4.85
Packing	Dimensions (WxDxH)(mm/in.)	407 x 372 x 94/ 16.02 x 14.65 x 3.70	407 x 372 x 94/ 16.02 x 14.65 x 3.70	407 x 372 x 94/ 16.02 x 14.65 x 3.70
	Weight (kg/lb.)	4.0/ 8.82	4.4/ 9.70	3.9/ 8.60
Included accessories	<ul style="list-style-type: none"> • Power cord • Rack mounting kit 	<ul style="list-style-type: none"> • Power cord • Rack mounting kit 	<ul style="list-style-type: none"> • Power cord • Rack mounting kit 	
ESD/Surge Protections				
Ethernet port surge protection	2 KV	2 KV	2 KV	
Power supply surge protection	Line-GND	2 KV	2 KV	4 KV
	Line-Line	1 KV	1 KV	2 KV
ESD protection (air/contact)	8 KV/6 KV	8 KV/6 KV	15 KV/8 KV	

Model	XS1935-10	XS1935-12HP	XS1935-12F	
Environmental Specifications				
Operating	Temperature	-20°C to 50°C/-4°F to 122°F	-20°C to 50°C/-4°F to 122°F	-20°C to 50°C/-4°F to 122°F
	Humidity	5% to 95% (non-condensing)	5% to 95% (non-condensing)	5% to 95% (non-condensing)
Storage	Temperature	-40°C to 70°C/-40°F to 158°F	-40°C to 70°C/-40°F to 158°F	-40°C to 70°C/-40°F to 158°F
	Humidity	5% to 95% (non-condensing)	5% to 95% (non-condensing)	5% to 95% (non-condensing)
MTBF (hr @ 25°C)	471,896	261,963	443,496	
Heat dissipation (BTU/hr)	159.01	1654.88	126.93	
Acoustic noise (min/max, dBA)	27.45/47.15	26.367/49.7	28.025/48.325	

* Access Layer 3 license comes with larger table size to expand network capacity for broader access network deployment.

Features

Standard Compliance

- IEEE 802.3z 1000BASE-X*
- IEEE 802.3ab 1000BASE-T Ethernet*
- IEEE 802.3an 10G BASE-T Ethernet*
- IEEE 802.3ae 10 Gbit/s Ethernet over fiber*
- IEEE 802.3af PoE*
- IEEE 802.3at PoE plus*
- IEEE 802.3bt (90W) PoE over 4 pair*
- IEEE 802.3x flow control
- IEEE 802.3ad LACP aggregation*
- IEEE 802.1D Spanning Tree Protocol (STP)*
- IEEE 802.1w Rapid Spanning Tree Protocol (RSTP)*
- IEEE 802.1s Multiple Spanning Tree Protocol (MSTP)
- IEEE 802.1p Class of Service (CoS) prioritization*
- IEEE 802.1X port authentication*

Resilience and Availability

- IEEE 802.1D Spanning Tree Protocol (STP)*
- IEEE 802.1w Rapid Spanning Tree Protocol (RSTP)*
- IEEE 802.1s Multiple Spanning Tree Protocol (MSTP)
- IEEE 802.3ad LACP* (Max # Trunks/Links per Trunk):
 - XS1935-10: 5/8
 - XS1935-12HP: 6/8
 - XS1935-12F: 6/8
 - Loop guard*
- Dual configuration files
- Dual images*

Traffic Control

- 802.1Q Static VLANs*/Dynamic VLANs: 1K/4K

- Support up to 4K VLAN ID*
- Independent VLAN Learning (IVL)*
- L2PT
- Port-based VLAN*
- Voice VLAN*
- VLAN trunking
- GVRP

Security

- 802.1X*
- Port security*
- MAC authentication*
- Static MAC forwarding
- Static ARP
- Policy-based security filtering
- Port isolation*
- MAC search
- Guest VLAN*
- PPPoE relay agent
- PPPoE option 82
- PPPoE IA
- Interface related trap enable/disable (by port)
- CPU protection
- Import HTTPS certification *
- Login authentication by RADIUS*
- RADIUS accounting
- Authorization on RADIUS*
- Multiple RADIUS servers (IPv4*/IPv6)
- VLAN and bandwidth assignment via RADIUS with 802.1x authentication*
- ACL packet filtering (IPv4*/IPv6)

Quality of Service (QoS)

- No. of hardware queues per port: 8*
- 802.1p queuing methods: SPQ, WRR, WFQ*
- Storm control: broadcast, unknown L2MC, unknown unicast (DLF)*
- Rate limiting per port
- Policy-based rate limiting
- Policy-based prioritization

Layer 2 Multicast

- L2 multicast group: 1K
- IGMP snooping (v1, v2, v3)*
- Configurable IGMP snooping timer and priority
- IGMP snooping statistics
- IGMP throttling
- IGMP filtering
- Static multicast
- Multicast load sharing over trunking port*

Routing

- Static route*

Manageability

- SNMP* v1, v2c, v3
- SNMP trap group
- RMON (1, 2, 3, 9)
- Syslog (IPv4/v6)*
- IEEE 802.1AB LLDP*
- IEEE 802.1AB LLDP-MED*
- Custom default
- Display port utilization*
- Support NebulaFlex™ for hybrid mode

IPv6 Management

- IPv6 over Ethernet (RFC 2464)
- IPv6 addressing architecture (RFC 4291)
- Dual stack (RFC 4213)
- ICMPv6 (RFC 4884)
- Path MTU (RFC 1981)
- Minimum path MTU size of 1280 (RFC 5095)
- Encapsulation for maximum MTU of 1500
- Neighbor discovery (RFC 4861)
- DHCPv6 relay
- Duplicated Address Detection (DAD)

Device Management

- Standalone management by Web interface
- Cloud management by Nebula Control Center*
- Auto configuration recovery (only for cloud mode)
- Zyxel iStackingTM
- Management through Web, SNMP
- Firmware upgrade by FTP/Web
- Configuration saving and retrieving
- Multiple login supported
- DHCP relay*
- DHCP relay per VLAN
- DHCP client IPv4 (IPv4*/IPv6)
- DHCP option 82*
- Daylight saving*
- NTP Server (IPv4*/IPv6)
- Port mirroring*
- Scheduled PoE*
- PoE default consumption mode*
- PoE power management extended configuration*
- Restore to last custom default

MIB

- Zyxel Common MIB
- RFC 1066 TCP/IP-based MIB
- RFC 1213, 1157 SNMPv2c/v3 MIB
- RFC 1493 bridge MIB
- RFC 1643 Ethernet MIB
- RFC 1757 RMON Group 1, 2, 3, 9
- RFC 2011, 2012, 2013 SNMPv2 MIB
- RFC 2233 SMIV2 MIB
- RFC 2358 Ethernet-like MIB
- RFC 2674 bridge MIB extension

Access L3 License*

- Multilevel CLI
- CLI (Cisco-like)
- Expanding Network Capacity
 - IEEE 802.1Q Static VLAN: up to 4,094
 - IPv4 Address table: up to 1,024
 - MAC table: up to 32K
 - IPv4/IPv6 Static route: up to 64/64
 - ACL: up to 256
- Networked AV Mode
- Protocol-Based VLAN
- IP subnet-based VLAN
- MAC-based VLAN
- VLAN isolation
- IEEE 802.1AD VLAN stacking (QinQ)
- VLAN mapping

- RFC 2819, 2925 remote management MIB
- RFC 3621 power Ethernet MIB
- RFC 4022 management information base for transmission control protocol
- RFC 4113 management information base for user datagram protocol
- RFC 4292 IP forwarding table MIB
- RFC 4293 Management Information Base (MIB) for IP

Certifications

- Safety
 - LVD
 - BSMI Safety
- EMC
 - FCC Part 15 (Class A)
 - CE (Class A)
 - BSMI EMC
- RoHS

Zyxel One Network

ZON Utility*

- Discovery of Zyxel switches, APs and gateways
- Centralized and batch configurations:
 - IP configuration
 - IP renew
 - Device factory reset
 - Device reboot
 - Device locating
 - Web GUI access
 - Password configuration

- MRSTP (Zyxel Proprietary)
- BPDU transparency
- Flex link
- IEEE 802.3ah OAM (Link Discovery, Loopback)
- BPDU Guard
- Root Guard
- IP source guard (IPv4/IPv6)
- DHCPv6 Snooping
- IPv6 DHCP trust
- ARP Inspection
- ARP Freeze
- Anti-ARP Scan
- MAC Freeze
- DHCP Server Guard
- MVR support

- One-click quick association with Zyxel AP Configurator (ZAC)
- Automatic detection of the latest firmware
- Displays device serial number and hardware version
- Cloud mode on/off option for Hybrid series devices
- Intuitive Cloud connection status

Smart Connect

- Discover neighboring devices
- One-click remote management access to the neighboring Zyxel devices
- Reset neighboring devices remotely to factory defaults

Warranty

- Limited life-time warranty**

* Nebula Cloud and Standalone modes supported features. Some Nebula features may need an extra license to work. For more details on the features and licenses, check [Nebula Licensing Table](#).

** Warranty terms, service availability, and service response times may vary from country or region to country or region.

- IGMP Snooping Immediate Leave
- MLD Snooping (MLD v1)
- sFlow
- IEEE 802.3x Flow Control
- Diffserv (DSCP)
- Auto PD recovery
- ZUID
- MAC-based authentication per VLAN
- Compound Authentication
- DHCP Client Option60
- Multiple TACACS+ server
- Login authentication by TACACS+
- TACACS+ Accounting
- Authorization on TACACS+
- Zyxel Private MIB

* The license needs to be purchased separately.

Accessories

Transceivers (Optional)

Model	Speed	Connector	Wavelength	Max. Distance	DDMI
SFP10G-T*	10-Gigabit SFP+	RJ-45	-	0.03 km (32.8 yd)	Yes
SFP10G-SR	10-Gigabit SFP+	Duplex LC	850 nm	0.3 km (328 yd)	Yes
SFP10G-SR-E	10-Gigabit SFP+	Duplex LC	850 nm	0.3 km (328 yd)	Yes
SFP10G-LR	10-Gigabit SFP+	Duplex LC	1310 nm	10 km (10936 yd)	Yes
SFP10G-LR-E	10-Gigabit SFP+	Duplex LC	1310 nm	10 km (10936 yd)	Yes
SFP-1000T	Gigabit	RJ-45	-	0.1 km (109 yd)	-
SFP-SX-D	Gigabit	Duplex LC	850 nm	0.55 km (601 yd)	Yes
SFP-SX-D-E	Gigabit	Duplex LC	850 nm	0.55 km (601 yd)	Yes
SFP-LX-10-D	Gigabit	Duplex LC	1310 nm	10 km (10936 yd)	Yes
SFP-LX-10-D-E	Gigabit	Duplex LC	1310 nm	10 km (10936 yd)	Yes
SFP-LHX1310-40-D	Gigabit	Duplex LC	1310 nm	40 km (43744 yd)	Yes
SFP-ZX-80-D	Gigabit	Duplex LC	1550 nm	80 km (87488 yd)	Yes
SFP-BX1310-10-D	Gigabit	Single LC	1310 nm (Tx); 1490 nm (Rx)	10 km (10936 yd)	Yes
SFP-BX1310-E	Gigabit	Single LC	1310 nm (Tx); 1550 nm (Rx)	20 km (21872 yd)	Yes
SFP-BX1490-10-D	Gigabit	Single LC	1490 nm (Tx); 1310 nm (Rx)	10 km (10936 yd)	Yes
SFP-BX1550-E	Gigabit	Single LC	1550 nm (Tx); 1310 nm (Rx)	20 km (21872 yd)	Yes

*Note: Connecting copper transceivers to your switches

1. Works with Cat6a/7 Cable up to 30 m. Please ensure the switch has proper ventilation to dissipate extra heat from the 10G BASE-T transceiver.
2. It is recommended to use no more than four 10GbE copper module simultaneously for XS1935-12F to avoid overheating and ensure reliable operation.
3. Ensure adequate spacing between connected 10GbE copper devices, and maintain sufficient airflow and cooling around the switch to optimize performance and longevity.

Direct Attach Cables (Optional)

Model	Connector	Cable Length
DAC10G-1M	SFP+ to SFP+	1 m (39.37 inch)
DAC10G-3M	SFP+ to SFP+	3 m (118.11 inch)

License (Optional)

Model	Service Duration	Description
XS1935-10	Life Time	Access L3 License
XS1935-12HP	Life Time	Access L3 License
XS1935-12F	Life Time	Access L3 License

For more product information, visit us on the web at www.zyxel.com

Copyright © 2025 Zyxel and/or its affiliates. All rights reserved.
All specifications are subject to change without notice.



06/05/25