

## XGN100Cv3

### 10G Network Adapter PCIe Card with Single RJ-45 Port

The Zyxel XGN100Cv3, powered by the Realtek RTL8127 controller, instantly transforms an available PCIe 3.0x2 slot into a high-speed 10 Gigabit Ethernet port for a seamless multi-gigabit upgrade. Fully backward-compatible, it allows you to move to 10G networking without replacing existing cabling. Its versatile RJ-45 port supports 10G/5G/2.5G/1G/100 Mbps, providing a dependable way to enhance or replace your current network connectivity.

### Benefits

#### Super-Fast 10Gbps networking

10X faster than standard gigabit Ethernet which can easily handle the bandwidth of demanding tasks such as fast downloads, seamless NAS media work, powerful server hosting, 4K streaming, or low-latency gaming at Home/SOHO/SMB environments.

#### Broad OS compatibility

It works seamlessly across major platforms, including Windows 10/11, Windows Server 2022/2025, and Linux to meet your diverse operating system needs.

#### Full duplex flow control

The XGN100Cv3 enhances performance further with its 16KB jumbo frame support and IEEE 802.3 flow control, ensuring optimized throughput and reliable wire-speed packet transfer. These features minimize the risk of packet loss, even under high traffic conditions, making the device an ideal solution for demanding 10 Gigabit Ethernet environments.



Experience blazing 10Gbps speeds. Supports multi-speed 10G/5G/2.5G/1G/100M/10M



Realtek RTL8127 chipset ensures stable performance, low latency, and enhanced Multi-Gig connectivity for enterprise and home use



Comprehensive OS support: Windows, Windows Server, and Linux



Full duplex flow control prevents packet loss and data drops and ensures stable throughput under load



Flexible installation with standard and low-profile brackets, suitable for all PCs

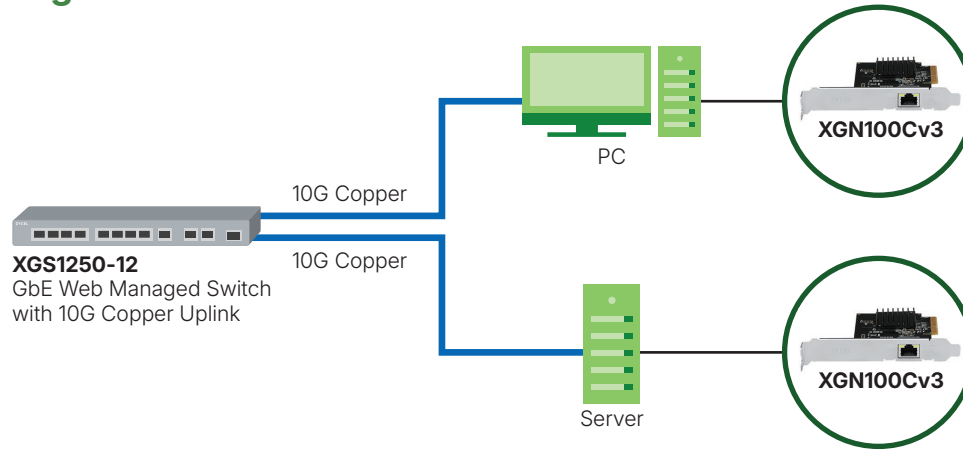
## QoS support

Built-in QoS technology automatically prioritizes bandwidth for the most important applications. Download large files while retaining a smooth web surfing, gaming, and streaming experience on all your connected devices.

## Flexible bracket options

Designed with both low-profile and standard brackets, this 10G network card fits seamlessly into a wide range of PC setups. No matter your system's form factor, installation is quick and effortless, giving you maximum flexibility for any hardware configuration.

## Application Diagram



## Specifications

### System Specifications

#### Standard

- IEEE 802.3an 10G BASE-T Ethernet
- IEEE 802.3bz 2.5GBASE-T/5GBASE-T
- IEEE 802.3ab 1000BASE-T Ethernet
- IEEE 802.3u Fast Ethernet
- IEEE802.3x flow control
- IEEE 802.3az Energy Efficient Ethernet

#### Performance

- Quality of Service
- Jumbo frame support up to 16KB

#### Features

- Compatibility with current network standards, including 10/5/2.5/1Gbps and 100/10Mbps
- IEEE 802.1Q VLAN tagging
- IEEE 802.1ad Double VLAN
- Standard and low profile brackets included
- Compatible with Windows® and Linux®
- Built-in Quality of Service (QoS) technology
- Support WoL
- IPv4, IPv6, TCP and UDP checksum offload
- Support protocol offload (ARP & NS)

### Supported OS

- Windows 11, 10 (64-bit)
- Windows Server 2016, 2019, 2022, 2025
- Linux kernels up to 6.15

### Hardware Specifications

#### Interface

- PCI Express Gen-3 x 2 Host Bus Interface
- 1 x 10Gbps RJ-45 Ethernet port (Supported Speeds: 10/5/2.5/1Gbps and 100Mbps)
- Pre-installed with full height bracket, also includes low profile bracket

#### LED Indicator

- Speed
  - Green: 10G
  - Amber: 5G/2.5G/1G/100M
- Link/Activity
  - Green
    - Steady: 10G/5G/2.5G/1G/100M connected
    - Blink: Data transmission
    - Off: Disconnected or fail

### Physical Specifications

- Item dimensions (WxDxH)(mm/in.): 120.59 x 88 x 21.59 / 4.75 x 3.46 x 0.85
- Item weight (g/lb): 53/0.12

### Environmental Specifications

#### Operating Environment

- Temperature: 0°C to 40°C (32°F to 104°F)
- Humidity: 10% to 90% (Non-condensing)

#### Storage Environment

- Temperature: -40°C to 85°C (-40°F to 185°F)
- Humidity: 5% to 90% (Non-condensing)

### Certifications

- EMC: CE, FCC, EAC, BSMI, Class B

### Package Contents

- XGN100Cv3
- Quick Start Guide
- Low profile bracket

## Ordering Information

Model	EAN	PN
<b>XGN100Cv3</b>	4718937654758	XGN100CV3-ZZAM01F
	4718937654604	XGN100CV3-ZZ0101F
	4718937654741	XGN100CV3-TWAM01F
	4718937654734	XGN100CV3-TW0101F

**For more product information, visit us on the web at [www.zyxel.com](http://www.zyxel.com)**

Copyright © 2026 Zyxel and/or its affiliates. All rights reserved.  
All specifications are subject to change without notice.

