



NWA240BE

BE15000 8-Stream WiFi 7 Triple-Radio NebulaFlex Access Point

Zyxel's NWA240BE is a triple-radio, 8-stream WiFi 7 access point designed to bring next-generation performance into modern, device-dense environments such as offices, classrooms, hospitality venues, and retail spaces. Delivering BE15000 ultra-fast speeds, it provides exceptional coverage and reliability for organizations that want to leverage the benefits of WiFi 7 and 10GbE connectivity.

Equipped with a 10GbE uplink, the NWA240BE unlocks WiFi 7 speeds and enables true 10GbE super broadband. Its 2×2:2 in 2.4GHz + 4×4:4 in 5GHz + 2×2:2 in 6GHz antenna architecture is purpose-built to strengthen the band that matters most—5GHz, where the majority of today's client devices operate. The high-gain 4×4:4 design expands 5GHz capacity for faster speeds, wider coverage, and the ability to support more clients simultaneously. Combined with Zyxel's advanced RF filters that suppress 5GHz/6GHz interference and enable 4G/5G cellular coexistence, the NWA240BE delivers clean, stable wireless performance even in challenging RF environments.

With NebulaFlex, the NWA240BE offers flexible dual-mode management, allowing you to switch effortlessly between standalone operation and centralized cloud management via Zyxel Nebula. Whether you need simple onsite control or scalable cloud management across multiple locations, the NWA240BE adapts to your deployment strategy with ease.



Triple-radio (2×2:2 in 2.4GHz, 4×4:4 in 5GHz, 2×2:2 in 6GHz) 802.11be AP provides ultra-fast speeds up to 15Gbps



The 1× 10GbE uplink port unlocks WiFi 7 speeds and enables true 10GbE super broadband



High-gain 4×4:4 antenna design in the 5GHz band expands capacity to deliver higher speeds, wider coverage, and support more client devices simultaneously



Advanced RF filters eliminate 5GHz/6GHz interference, while the built-in 4G/5G filter ensures smooth coexistence with cellular networks



NebulaFlex allows users to switch between standalone or intuitive Nebula cloud managed modes as needed



Zyxel **one** network
Redefining network integration

Benefits

Bringing next generation WiFi within reach

WiFi 7, also known as IEEE 802.11be, represents the next evolution in WiFi standards, supporting all three frequency bands – 2.4GHz, 5GHz, and 6GHz. With its revolutionary technological advancements, it promises to redefine the concept of speed, delivering unprecedented rates to elevate online experiences in the digital realm.

Coupled with Zyxel's comprehensive range of management and security innovations, the NWA240BE ensures the utmost connectivity and reliability for demanding enterprise-grade connectivity.

MLO: Transforming WiFi 7 for unprecedented connectivity

Fundamentally, one of the most pioneering advancements of WiFi 7 is the introduction of MLO (Multiple Link Operation). MLO represents a WiFi technology that empowers devices linked to a WiFi access point (AP) to concurrently transmit and/or receive data through various frequency bands and channels. This entails simultaneous connections across the 2.4GHz, 5GHz, and 6GHz bands, a capability absent in earlier WiFi generations where devices were restricted to a solitary WiFi band connection.

The result is a significant amplification in data throughput, a reduction in latency, and an enhancement in reliability. These outcomes undeniably enhance the user experience and unveil novel opportunities for emerging applications such as VR/AR, online gaming, remote office setups, and cloud computing.

Flexible wireless connectivity for modern workspaces

Zyxel's NWA240BE WiFi 7 access point delivers exceptional flexibility and high-performance connectivity for offices, classrooms, hospitality venues, and other device-dense environments. Its Smart Mesh technology simplifies network expansion by automatically creating a self-organizing wireless network that adapts to interference, layout changes, or obstacles—ensuring uninterrupted connectivity without extra cabling. Additionally, the Wireless Bridge function enables secure, high-speed point-to-point or point-to-multipoint links between different areas, providing a reliable alternative to wired connections. This makes the NWA240BE ideal for extending network access across multi-room offices, classrooms, or large indoor spaces, ensuring smooth data flow and consistent performance for all client devices.

RF first by design

The advanced RF filter design eliminates interference between the 5GHz and 6GHz bands, while the built-in 4G/5G interference filter allows seamless coexistence with 4G/5G cellular networks and minimizes interference, all of which guarantees a seamless WiFi experience without interruptions.

NebulaFlex – simply manage it your way!

NebulaFlex offers extended flexibility, enabling users to effortlessly switch between standalone mode and our intuitive cloud-managed NCC (Nebula Control Center) modes at any time, without incurring additional costs. This ensures adaptability to changing needs while safeguarding investments in wireless technology.

Nebula, the intelligent cloud management

Nebula offers comprehensive monitoring and reporting capabilities, including real-time notifications for critical events via the mobile app. With Nebula, you can enjoy a streamlined experience for network installation and management, without the need for an additional cost for software or hardware controllers.

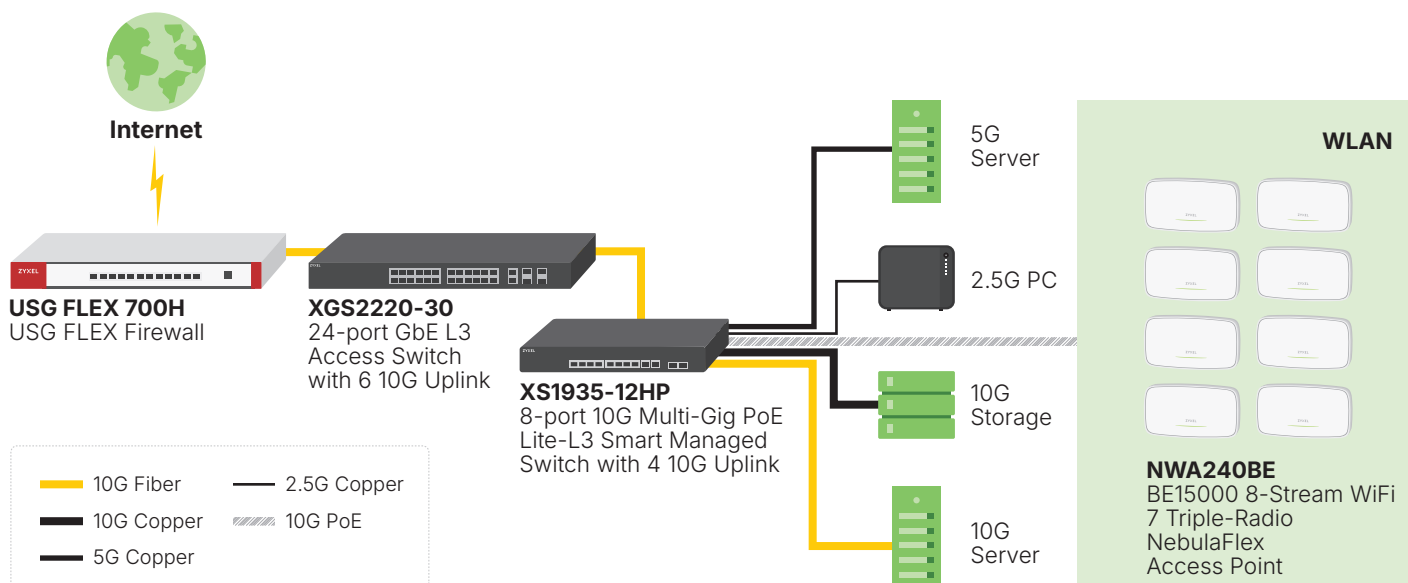
• Automated WLAN management & optimization

With features like WiFi Aid and Wireless health, Nebula enables automated wireless network management and optimization, ensuring the best possible WiFi user experience.

• Enhanced privacy & security

Powerful security add-on features like CNP/CNP+, DPPSK, and advanced authentication methods work together to create a robust and protected environment for your network.

Network Application



Specifications

Model	NWA240BE
Product name	BE15000 8-Stream WiFi 7 Triple-Radio NebulaFlex Access Point



Wireless		
Standard	IEEE802.11 be/ax/ac/n/g/b/a	
MIMO	MU-MIMO	
Wireless speed	2.4GHz	688Mbps
	5GHz	8646Mbps
	6GHz	5764Mbps
Frequency band	2.4GHz	<ul style="list-style-type: none"> USA (FCC): 2.412 to 2.462GHz Europe (ETSI): 2.412 to 2.472GHz
	5GHz	<ul style="list-style-type: none"> USA (FCC): 5.15 to 5.35GHz; 5.470 to 5.850GHz European (ETSI): 5.15 to 5.35GHz; 5.470 to 5.725GHz
	6GHz	<ul style="list-style-type: none"> USA (FCC): 5.925 to 6.425GHz; 6.525 to 7.125GHz European (ETSI): 5.925 to 6.425GHz
Bandwidth	20-, 40-, 80-, 160-, 240- and 320-MHz	
Conducted typical transmit output power*1	US (2.4GHz/5GHz) or +/6GHz)	25/28/23dBm
	EU (2.4GHz/5GHz) or +/6GHz)	19/28/22dBm

Specifications

Model		NWA240BE
RF Design		
Antenna type	Internal antenna	
Antenna gain	2.4GHz	3dBi, 2X2:2SS
	5GHz	5dBi, 4X4:4SS
	6GHz	5dBi, 2X2:2SS
Minimum receive sensitivity	Min. Rx sensitivity up to -99dBm	
WLAN Feature		
Band steering	Yes	
WDS/Mesh*2	Yes	
Wireless Bridge	Yes	
Fast roaming	Pre-authentication, PMK caching and 802.11r/k/v	
DCS	Yes	
Load balancing	Yes	
Advanced cellular coexistence	Yes	
Security		
Encryption	WEP/ WPA/WPA2/WPA3	
Authentication	IEEE 802.1X/ RADIUS authentication	
Access management	L2-isolation/MAC filtering/Rogue AP detection	
Networking		
IPv6	Yes	
VLANs	Yes	
WMM	Yes	
U-APSD	Yes	
Management		
Operating mode	Nebula managed/standalone	
ZON Utility	<ul style="list-style-type: none"> • Discovery of Zyxel switches, APs and gateways • Centralized and batch configurations <ul style="list-style-type: none"> <li style="width: 50%;">▪ IP configuration <li style="width: 50%;">▪ Web GUI access <li style="width: 50%;">▪ IP renew <li style="width: 50%;">▪ Firmware upgrade <li style="width: 50%;">▪ Device reboot <li style="width: 50%;">▪ Password configuration <li style="width: 50%;">▪ Device locating 	
Web UI/CLI	Yes	
SNMP	Yes	
Physical Specifications		
Item	Dimensions (WxDxH)(mm/in.)	270 × 150 × 47 / 10.63 × 5.91 × 1.85
	Weight (g/lb)	848 / 1.87
Packing	Dimensions (WxDxH)(mm/in.)	324 × 184 × 72 / 11.76 × 7.24 × 2.83
	Weight (g/lb)	1185 / 2.61
Included accessories	<ul style="list-style-type: none"> • Mount plate • Mounting screws 	
MTBF (hr)	616,293	
Physical Interfaces		
Ethernet port	1 × 1/2.5/5/10GbE LAN	
Power	<ul style="list-style-type: none"> • PoE (802.3bt): power draw 28W • DC input: USB PD 15 VDC 2A (Type C) 	
PoE modes	IEEE 802.3af	No wireless
	IEEE 802.3at	5GHz 2T4R
	IEEE 802.3bt	Unrestricted

Model	NWA240BE	
Environmental Specifications		
Operating	Temperature	0°C to 50°C/32°F to 122°F
	Humidity	10% to 95% (non-condensing)
Storage	Temperature	-40°C to 70°C/-40°F to 158°F
	Humidity	10% to 90% (non-condensing)
Certifications		
Radio	FCC Part 15C, FCC Part 15E, FCC Part 2.1091, ETSI EN 300 328, EN 301 893, Draft EN 303 687, EN 50385, EN 50665, EN IEC 62311, LP0002	
EMC	FCC Part 15B, EN 301 489-1, EN 301 489-17, EN55032, EN55035, EN61000-3-2/-3, EN60601-1-2, BSMI CNS15936	
Safety	EN 62368-1, IEC 62368-1, BSMI CNS15598-1	

*1: Maximum transmit power is limited by local regulatory settings.

*2: WDS, Smart Mesh, and Industry's Open Mesh, Easy Mesh are different mesh systems that do not work with one another.

For more product information, visit us on the web at www.zyxel.com

Copyright © 2025 Zyxel and/or its affiliates. All rights reserved.
All specifications are subject to change without notice.



28/04/26