

P-793H v2

Quick Start Guide

G.SHDSL.bis Bonded Broadband Gateway

Version 3.70
Edition 1, 03/2010

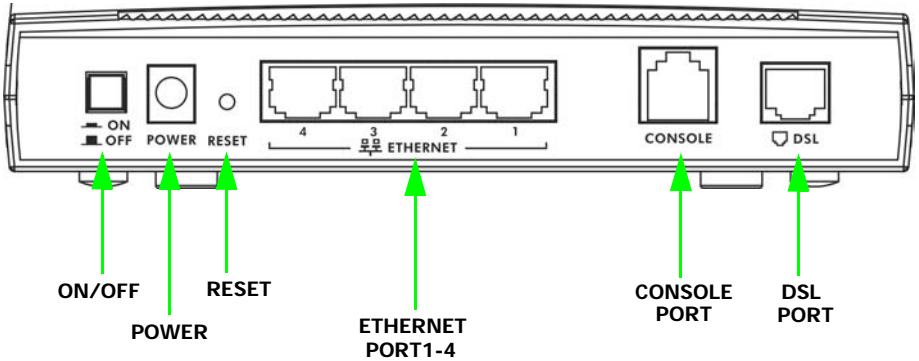
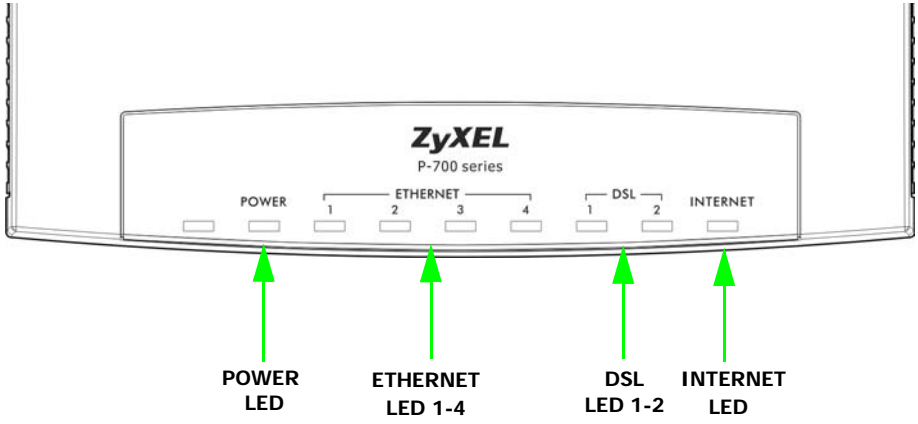
DEFAULT LOGIN DETAILS

IP Address:	http://192.168.1.1
Admin Password:	1234
User Password:	user



ZyXEL

Device Panels



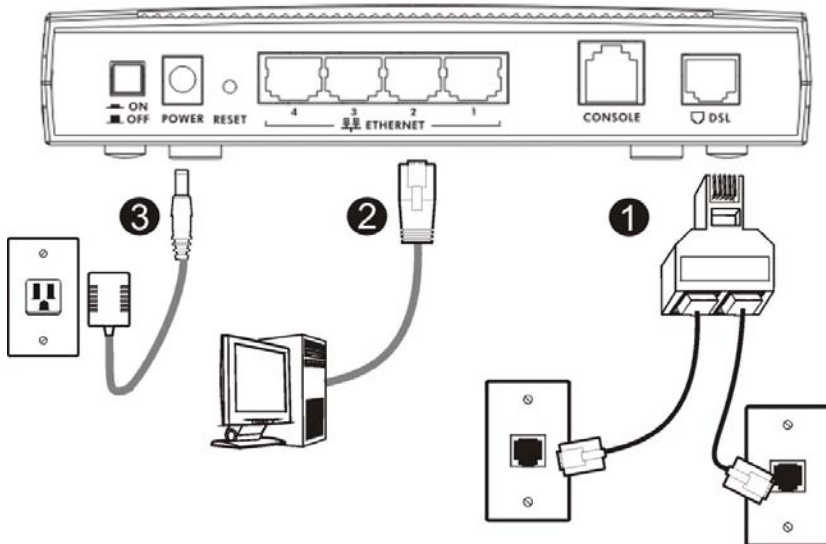
Overview

The P-793H v2 is a secure G.SHDSL.bis bonded broadband gateway. The P-793H v2 provides high-speed Internet access or high-speed point-to-point connections with other ZyXEL devices of the same type. The P-793H v2 itself can act as a router or as a bridge.

See your User's Guide for background information on all features.

The included CD provides multi-media animations that help you set up your P-793H v2.

Hardware Connections



1. **DSL:** Use the provided Y-connector with the included telephone cables to connect the P-793H v2's DSL port to the telephone jacks or wall outlets for a point-to-point connection.

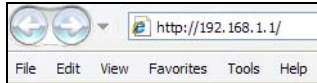
For a standard connection to your ISP or a point-to-point connection, you can unplug one of the telephone cables from the Y-connector and use it for your DSL connection.

2. **ETHERNET:** Use an Ethernet cable to connect a computer to the **ETHERNET** port for initial configuration and/or Internet access.
3. **POWER:** Use the power adaptor provided with your P-793H v2 to connect an appropriate power source to the **POWER** socket. Make sure the power source is on.
4. Push in the **POWER** button. Look at the lights on the front panel.
 - The **POWER** light blinks while your P-793H v2 starts up and stays on once it is ready. The **DSL1** and **DSL2** LEDs blink while the P-793H v2 is trying to establish a connection with the ISP and stay on when the connection is established. The **INTERNET** light is on when you are able to access the Internet and blinks when the P-793H v2 is sending or receiving data.
 - The **ETHERNET** light stays on if the **ETHERNET** port is properly connected and blinks when there is traffic.

If any of these lights are not on, check your connections, and inspect your cables for damage. If the lights are still off, contact your local vendor.

Status Page

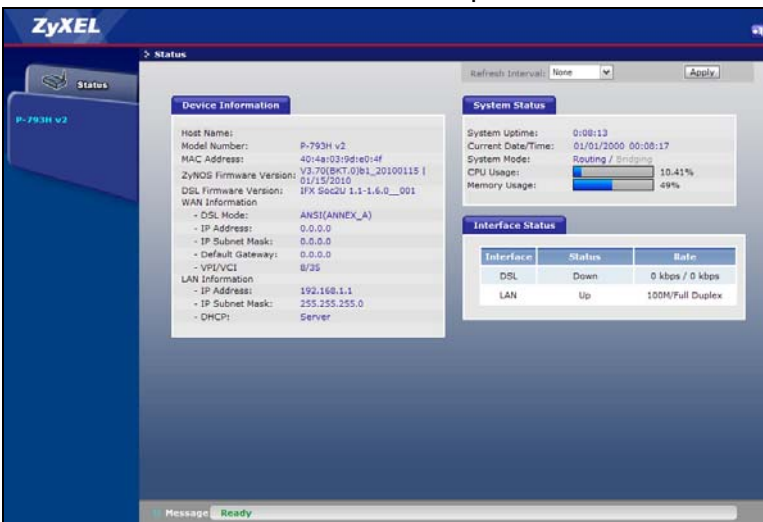
1. In your browser, go to <http://192.168.1.1>.



2. Enter the default password **user** to go directly to the **Status** screen.



3. See the User's Guide for field descriptions of the **Status** screen.



Internet Setup

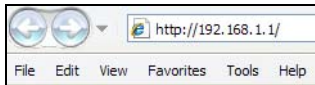
You must have an account for Internet access, and you should have the information provided by your Internet Service Provider (ISP).

1. Open your web browser, and go to <http://www.zyxel.com>.

Your P-793H v2 tries to detect your Internet connection. Wait for the P-793H v2 to finish detection. If any other screens appear, follow the directions in the screen.

If the web page opens correctly, your P-793H v2 is ready for you to use. If the web page does not open, follow the rest of the steps. You should have the information provided by your ISP.

2. In your browser, go to <http://192.168.1.1>.



3. Enter the admin password **1234** to set up your internet and wireless connections and security settings. Click **Login**.

- When you login the for first time, it is recommended that you change the default password. Follow the directions in this screen to do so.



ZyXEL

Use this screen to change the password.

Your router is currently using the default password. To protect your network from unauthorized users we suggest you change your password at this time. Please select a new password that will be easy to remember yet difficult for others to guess. We suggest you combine text with numbers to make it more difficult for an intruder to guess.

Enter your new password in the two fields below and click "Apply". Otherwise click "Ignore" to keep the default password

New Password:

Retype to Confirm:

- Click **Go to Wizard setup**. Then, click **Apply**.



ZyXEL

Please select Wizard or Advanced mode

The Wizard setup walks you through the most common configuration settings. We suggest you use this mode if it is the first time you are setting up your router or if you need to make basic configuration changes.

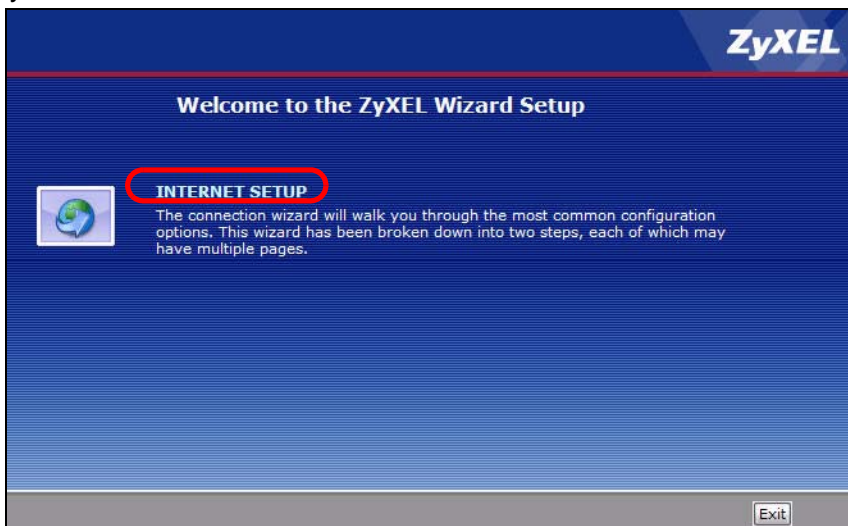
Use Advanced mode if you need access to more advanced features not included in Wizard mode.

Go to Wizard setup

Go to Advanced setup

Click here to always start with the Advanced setup.

6. Click **INTERNET SETUP**. Wait while your P-793H v2 tries to detect your DSL connection.



7. Follow the directions in the wizard. Do not change default settings if your ISP did not provide information.

Troubleshooting

1. If you cannot access the web configurator using Internet Explorer in Windows XP or Windows Server 2003, make sure you allow pop-up windows, JavaScripts and Java permissions or set the Internet security level lower than **High** in Internet Explorer (in Internet Explorer, click **Tools > Internet Options > Security > Custom Level...**). See the appendix in the User's Guide for more information.
2. If you cannot access the Internet when your computer is connected to the **ETHERNET** port, follow these steps.

- a. Check the lights on the front panel. If they are different from what is described in [Hardware Connections](#) , make sure the P-793H v2 is correctly connected. If the lights are still different, turn off the device, wait a few seconds, and turn it on again.
- b. Follow the steps in [Internet Setup](#) again. Make sure you enter the correct information. For example, if your account has a user name and password, make sure you type it correctly. In addition, if you are not sure which encapsulation your ISP uses, contact your ISP.
- c. If you are using a new Internet account, contact your ISP to make sure it is active.
- d. If you still have problems, see **Troubleshooting** in the User's Guide.

Viewing Certification(s)

- Go to www.zyxel.com.
- Select your product from the drop-down list box on the ZyXEL home page to go to that product's page.
- Select the certification you wish to view from this page.

